



MAXMADE LIMITED

Meat Rails



Basic Meat Rail System

Slotted Tees and Joists:

40x40x5 supplied in two lengths of 2200 & 2400mm. The Tee's are predrilled to allow fixings to the composite panel walls. And pre-cut with slots at 200mm centres for side rail clips and shelf arm fittings.

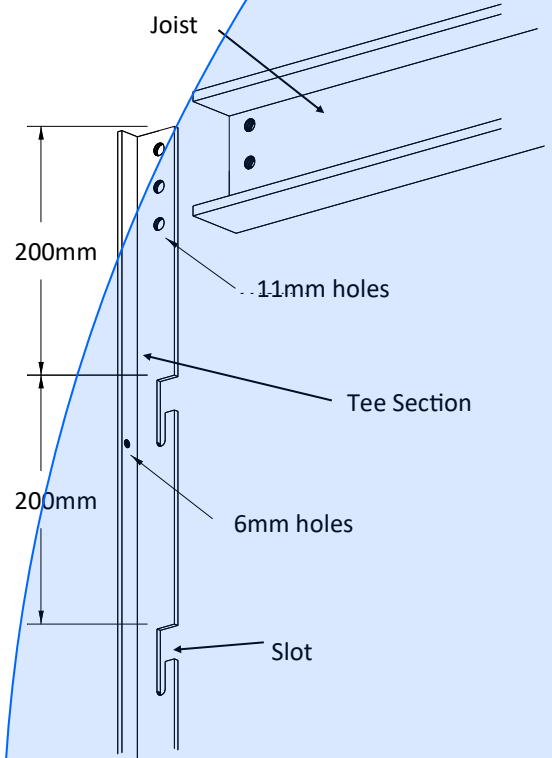


Joists are cut to suit the required length to span the cold room. They can be supplied in 3 sizes to suit span and weight to be carried.

- 102 x 51mm
- 127 x 76mm &
- 152 x 76mm

Both items are galvanised.

Joist and tees are supplied with M10 Bolts, nuts and washers. And screws to fix Tees to the panel.



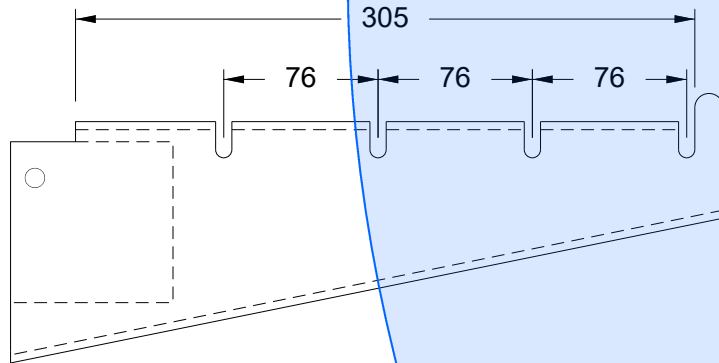
Side Rail Clips:

Clipped onto the tee's to allow a single run of 40x10 galvanised bar

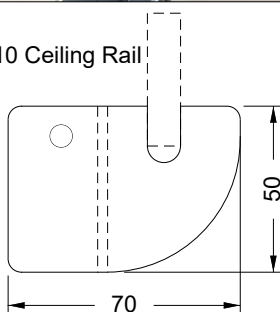


Shelf Arms:

Attached to the slotted tees these provide adjustable shelving. Available in two sizes of 300 & 325mm. 30x8 galvanised shelf bars are fitted into the slots.



40x10 Ceiling Rail



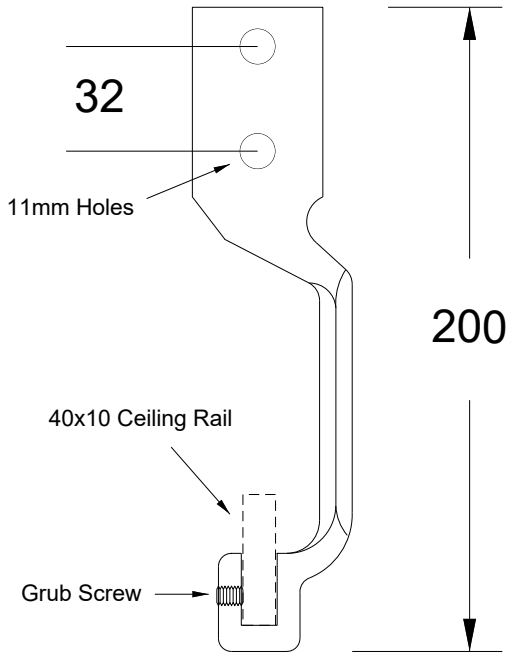
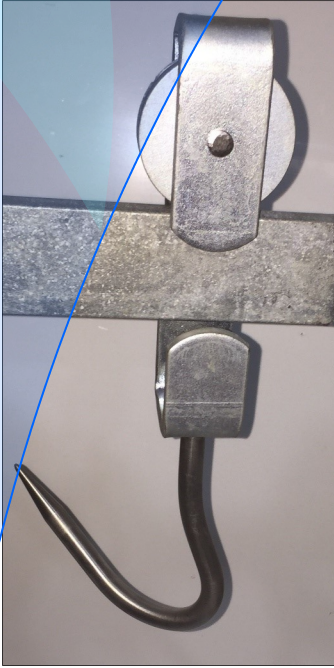
Basic Meat Rail System

Cranked Hangers:

Zinc plated cranked hangers are bolted onto joists to provide hanging points for meat rails.

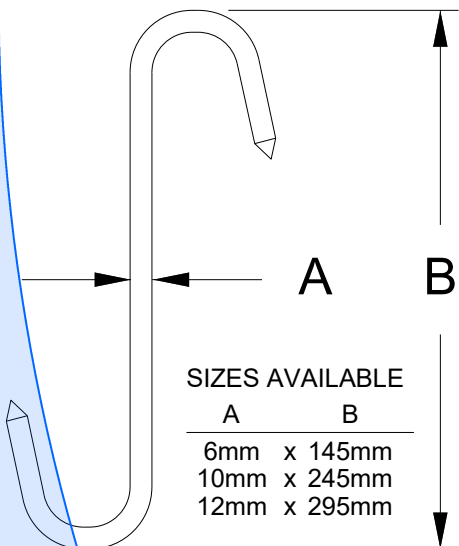
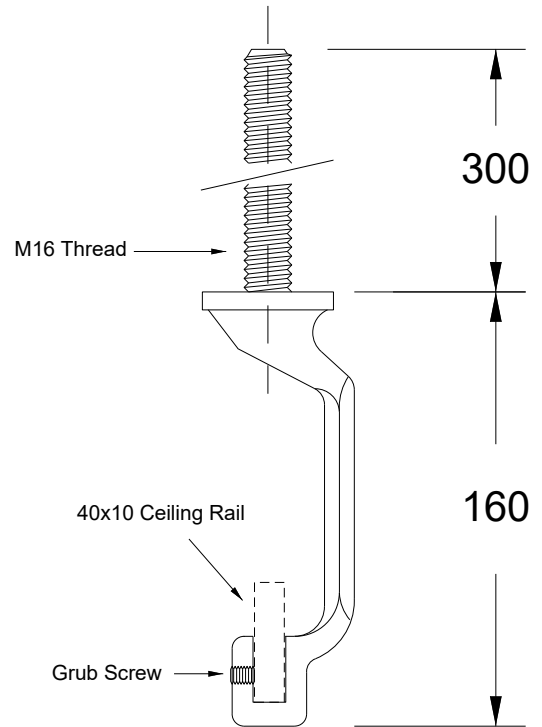
Roller Hooks:

Zinc plated roller hook with a stainless hook



Threaded Hangers:

Zinc plated threaded hangers come with a 300mm long thread, which can be bolted to support beams above the coldroom panel.



S' Hanging Hooks:

Come in Stainless steel finish with pointed ends, for ease of use.



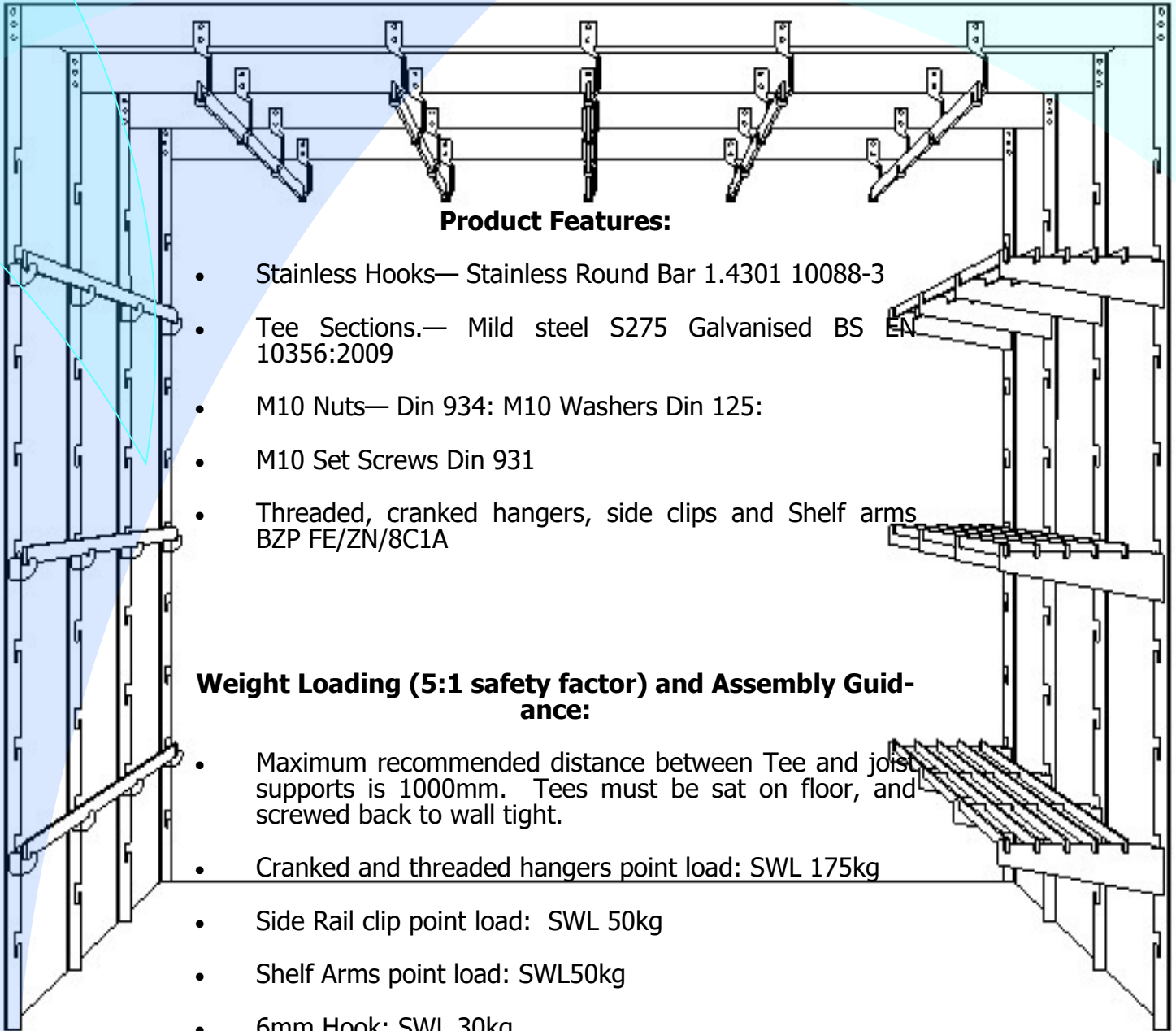
Special Meat Rail System

Special Meat Rail Systems:

A basic meat rail system can be manufactured to suit specific needs, such as free-standing systems, multiple rail systems, using a "goalpost support". Such as special powder coated finishes to give a more aesthetically pleasing finish, made to measure supports for irregular shaped rooms.



Meat Rails



Product Features:

- Stainless Hooks— Stainless Round Bar 1.4301 10088-3
- Tee Sections.— Mild steel S275 Galvanised BS EN 10356:2009
- M10 Nuts— Din 934: M10 Washers Din 125:
- M10 Set Screws Din 931
- Threaded, cranked hangers, side clips and Shelf arms BZP FE/ZN/8C1A

Weight Loading (5:1 safety factor) and Assembly Guidance:

- Maximum recommended distance between Tee and joist supports is 1000mm. Tees must be sat on floor, and screwed back to wall tight.
- Cranked and threaded hangers point load: SWL 175kg
- Side Rail clip point load: SWL 50kg
- Shelf Arms point load: SWL50kg
- 6mm Hook: SWL 30kg
- 10mm Hook SWL 70kg
- 12mm Hook 145kg

Product Weights:

- 2200mm Tee — 6.5kg
- 2400mm Tee — 7 kg
- 102mm Joist per mtr — 10.25kg
- 127mm Joist per mtr — 14.8 kg
- 152mm Joist per Mtr — 17.9 kg
- 40x10 Meat Rail Bar per mtr — 3.15kg
- 30x8 Shelf Bar per mtr — 2kg
- Cranked Hanger — .6kg
- Threaded Hanger — .65kg
- Side Rail Clip — .12kg
- 12" Shelf — .65kg
- 15" Shelf — .75kg

Contact our sales team for more information on any of our range of products.



Hemmings Way, Off Stoney Lane,
Rainhill, Prescot, Merseyside L35 9ND
www.maxmade.com sales@maxmade.com
Telephone: 0151 430 9797